

SCHMIDT BENDER

1,5-8x42
STRATOS

NEW



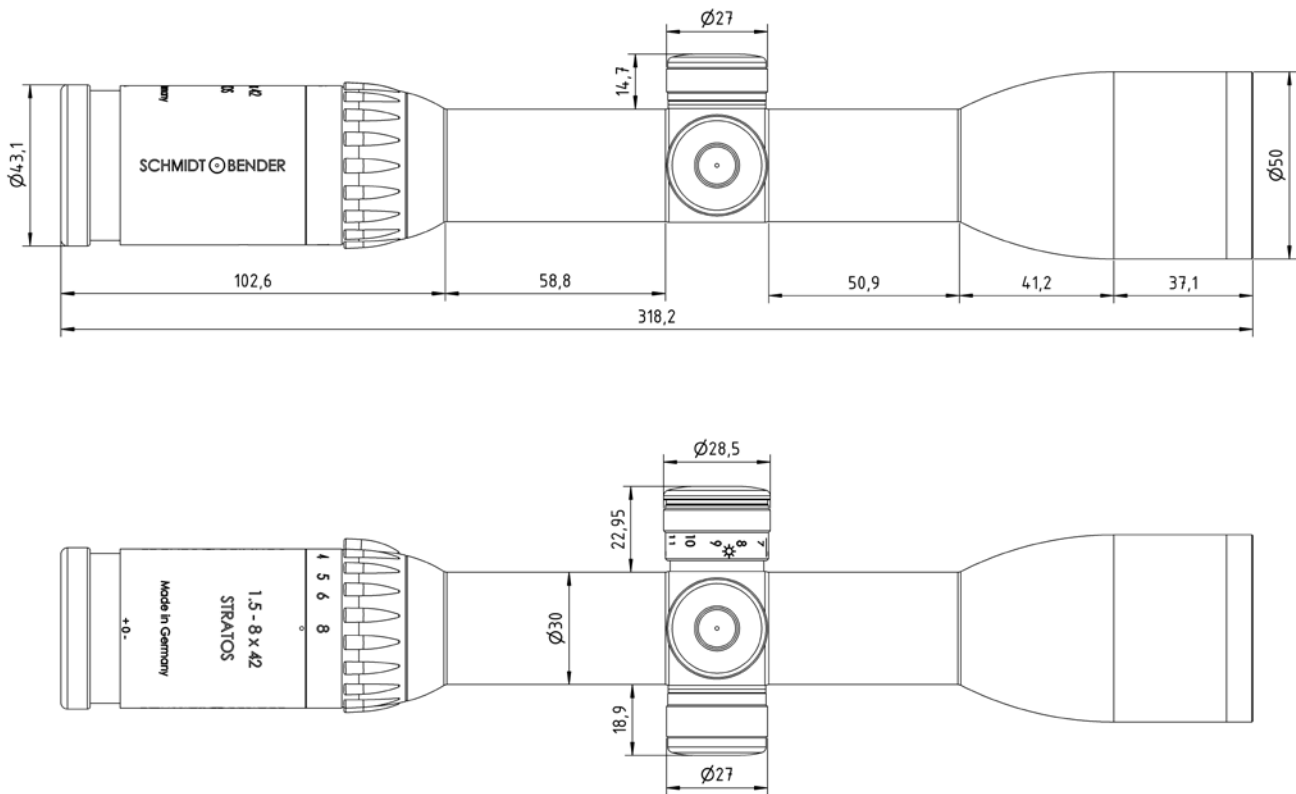
The new Stratos Rifle Scopes Choose your scope, choose your light!

- New 5x zoom scopes for each application
- New programmable illumination unit
- New functional quick adjustment
- Unique Flash Dot technology
- Timeless elegant design

Contact us to find out more about our high-quality rifle scopes at:

Schmidt & Bender GmbH | Am Grossacker 42 | 35444 Biebertal, Germany | Phone: +49 6409 8115-0 | info@schmidt-bender.de | www.schmidt-bender.de

1. Dimensions and physical properties



Dimensions in mm

Length: 318,2 mm
Main tube diameter: 30 mm

2. Optical Data

Magnification: 1,5 x - 8 x
Objective diameter: 42 mm
Field of view (m/100 m): 23,9 - 4,6
Exit pupil: 12 mm - 4,6 mm
Eye relief: 90 mm
Twilight factor: 5,2 - 18,33
Transmission: 90 % / Analysis¹⁾
Focal plane: 1st focal plane

¹⁾ D65 Day / Night at 370-780nm according to DIN-ISO 14490-5

3. Adjustments

Diopter:	+2 dpt to -3 dpt
Elevation:	0,1 mrad per click
Windage:	0,1 mrad per click
Parallax:	fix 100 m

4. Environmental properties

Waterproof:	3 m
Temperature range:	
Storage:	-40°C to +70°C
Function:	-25°C to +55°C

5. Available configurations

a.) Turrets

Turret types

- Posicon
- New quick adjustment

Turret configurations

Elevation	Windage
0,1 mrad cw	0,1 mrad cw
0,1 mrad ccw	0,1 mrad ccw
¼ MOA cw	¼ MOA cw
¼ MOA ccw	¼ MOA ccw

b.) New programmable **Choose Your Light Illumination** technology

- Third turret on the left side of the scope
- 3 buttons – moon, sun, power – for all functions
- Battery change without tools

Choose from various options – simple and quick on your PC:

- Choose your number of steps in brightness for daymode
- Choose your number of steps in brightness for nightmode
- Choose the behavior after reactivation
- Choose number of hours until automatic shutdown
- Activate or deactivate low battery warning
- Activate or deactivate angle sensor for automatic on/off

c.) Reticles

- FD 4
- FD 7
- Other reticles available on request.

More configurations on request!